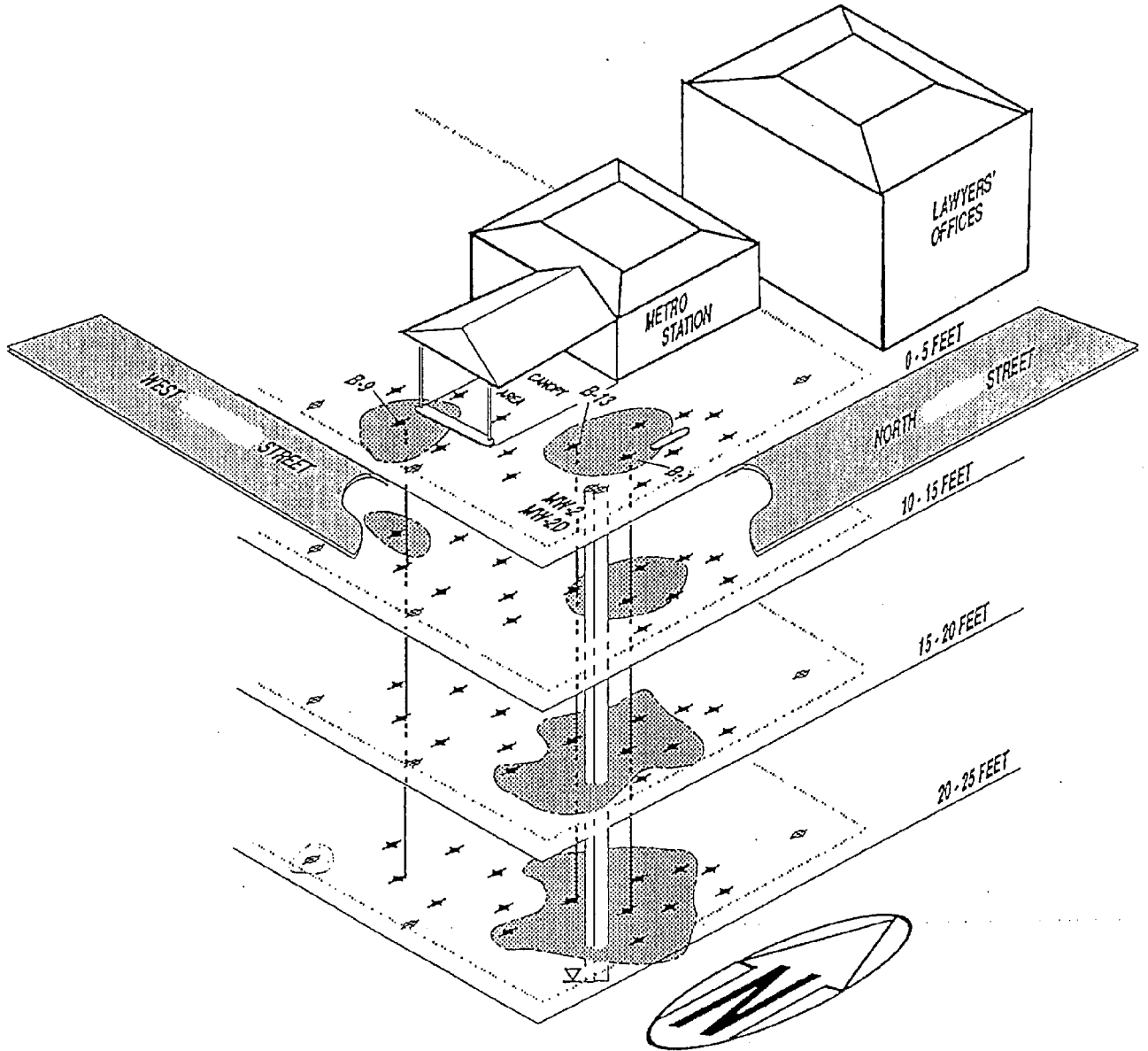


SAMPLE SOIL SCREENING AND PLUME MAP



▽ WATER TABLE ELEVATION
 DEPTH SCALE AS INDICATED ON INDIVIDUAL LAYER
 HORIZONTAL SCALE NOT INDICATED

SOIL CONTAMINATION 3 - DIMENSIONAL PROFILE	
	METRO FLORIDA
DATE: OCT 1991	FIGURE: 5